

FIREPLACE INSERTS FROM BRUNNER



Stil-Kamin 75/90

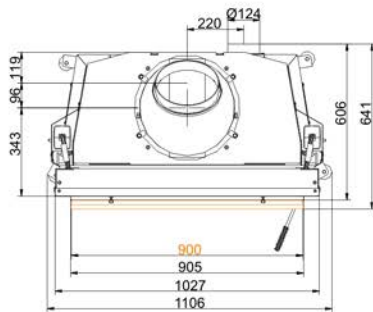
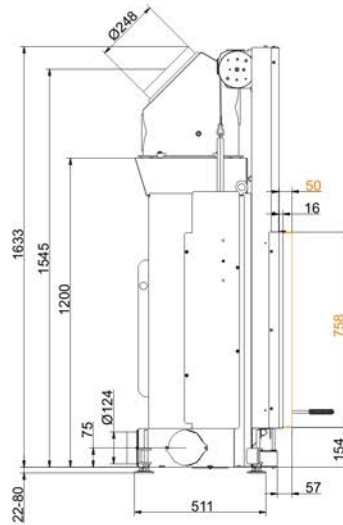
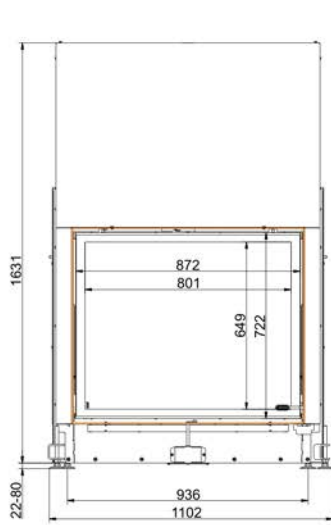
lifting door (easy-lift)

State: 2020-03-02

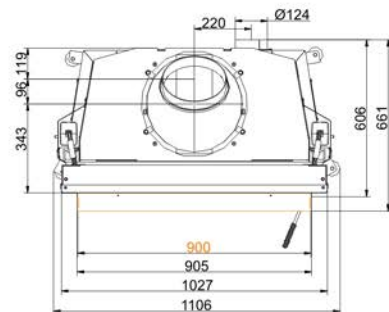
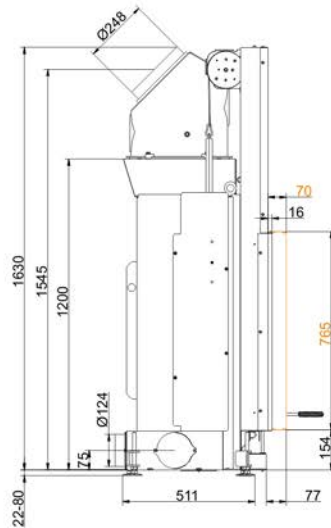
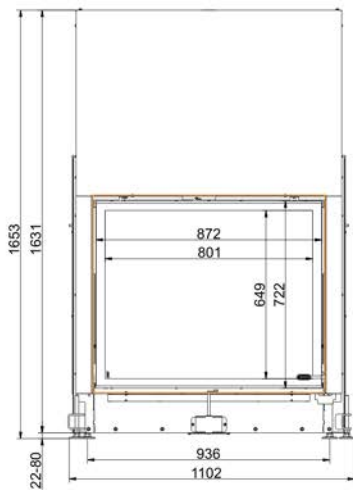


BRUNNER[®]
made in germany.

Dimension sheets - Stil-Kamin 75/90 lifting door (easy-lift)

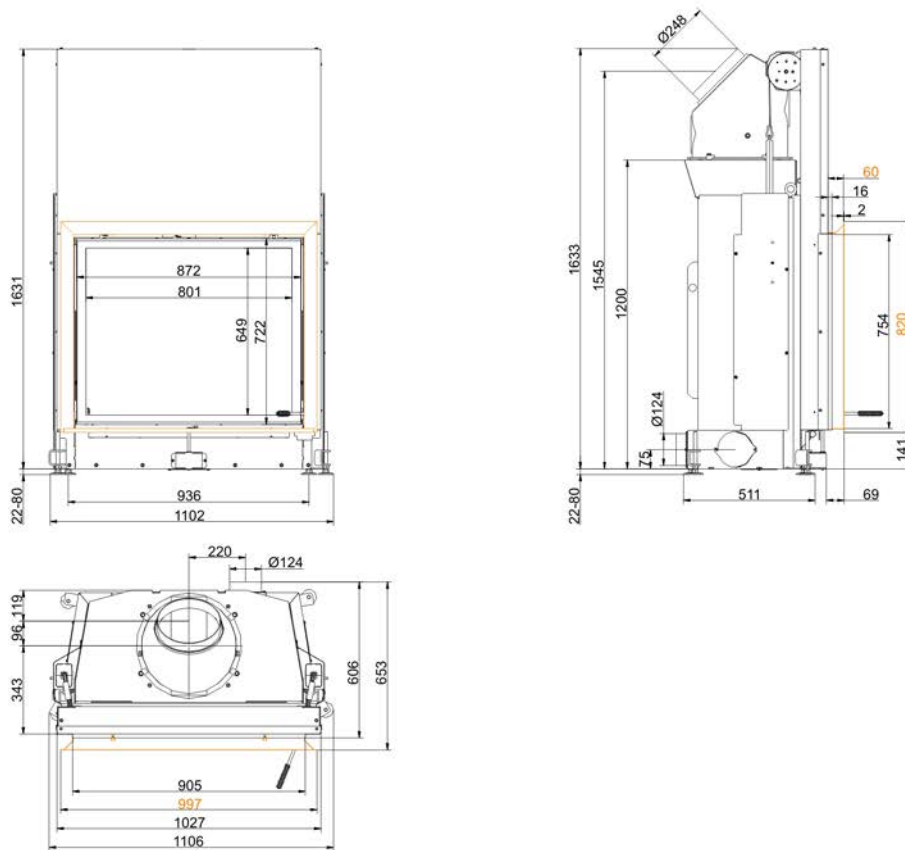


... with mounting frame 50 mm



... with mounting frame 70 mm

Dimension sheets - Stil-Kamin 75/90 lifting door (easy-lift)



... with door frame

We suggest for CAD planning Palette CAD. Permanent updated drawings: www.brunner.de
 Frames /flue gas outlet connection/ combustion air supply connection/ front variants are marked in color.

Planning and installation - Stil-Kamin 75/90 lifting door (easy-lift)

Tested according to		EN 13229 W
Values measured at		Rated capacity ¹⁾
Suitable for all construction types according to rules		OK
EEl		105.7
Data for functional demonstration		
Rated heat power	kW	13
Fire wood volume	kg/h	4
Combustion performance	kW	16
Flue gas mass flow	g/s	14
Outlet temperature (before reheating surface)	°C	340
Flue gas temperature after:		
attached steel smoke hood	°C	210
7 x accumulation rings (MAS) ²⁾	°C	220
Necessary supply pressure	Pa	12
Combustion air consumption	m ³ /h	42
Efficiency	%	80
Combustion air connection Ø	mm	125
Heat distribution		
Insert / reheating surface	%	60 / -
Glass pane (single / double)	%	40 / -
Heat output		
Heating surface	m ²	3.2
Heizgasrohr	m ²	0.5
Cross-section of gratings ³⁾		
Convection air	cm ²	900 / 100 / -
Supply air	cm ²	900 / 100 / -
Minimal oven surface for closed construction type		
Heat dissipating surface	m ²	5.5
Minimal distances of the fireplace		
to insulation layer	cm	6
to mounting floor	cm	2
Thermal insulation without / with air gratings ⁴⁾		
Mounting wall	cm	18 / 14
Floor	cm	4 / 2
to protected wall	cm	22 / 16
Brick lining for combustible wall	cm	10
Weight		
Fireplace / combustion chamber	kg	253 / 128
Meets requirement/limit values for:		
Germany/ Austria / Switzerland / Norway		1.BImSchV (Stufe 2) / 15a BVG (2015) / LRV / NS 3059

- 1) Indications to "Rated power" determined with metallic reheating surface
 2) Damper flap recommended
 3) for fireplace inserts / flue gas pipe / metallic reheating surface
 4) Values determined with upper air sections; stove cladding is heat emitting.